

Quickstart Guide

TN Series Thermal Imaging Cameras



Thank you for choosing our product. Please thoroughly go through user manual before operation and keep it well for future reference. All photos here are for reference only, and specifications are subject to the physical product.

- CONTENT -

GB	TN Series Thermal Imaging Cameras Quickstart Guide	1-19
CN	TN系列热成像仪快速操作指南	21-35
DE	TN-Serie Wärmebildkameras Kurzbedienungsanleitung	37-57
FR	Manuel d'utilisation rapide de la caméra thermique série TN.....	59-79
RU	Тепловизоры серии TN Инструкция по быстрой эксплуатации	81-102

- IMPORTANT -

Thank you for purchasing this product. Please read this Guide first and keep it properly for future reference. We hope this product will meet your expectations.

This Guide is a general guide for a series of products, which means that the product you receive may differ from the description in the Guide. The actual product you receive shall prevail.

This Guide is prepared to introduce our products to the users. We will try our best to ensure the accuracy of the Guide, but the completeness of the Guide still cannot be guaranteed, because our products have been continuously upgraded. We reserve the right to modify at any time without prior notice.

- FCC WARNING -

This device complies with part 15 of the FCC Rules.

Operation is subject to the following two conditions:

(1) This device may not cause harmful interference, and (2) this device must accept any interference received, including interference that may cause undesired operation.

- IMPORTANT -

DANGER

- 1) Please follow the method described in this Guide for charging the cell, and follow the charging procedures and precautions. Improper charging may cause overheating, damage and even personal injury.
- 2) Do not attempt to open or disassemble the cell at any time. If any liquid touches the eyes in case of cell leakage, please rinse with clean water immediately and seek medical care.

WARNING

- 1) Please keep the device as stable as possible to avoid violent shaking.
- 2) Do not use or store the device in an environment with the temperature higher than the permitted level.
- 3) Do not direct the device directly to high-intensity heat radiation source, such as the sun, laser, spot welding machine, etc..
- 4) Do not block the holes on the device.
- 5) Do not knock, throw or vibrate the device and accessories to avoid damage.

- 6) Do not disassemble the unit by yourself, which may cause damage to the device and loss of warranty rights.
- 7) Do not use soluble or similar liquid on the device and cables, which may cause damage to the device.
- 8) Please do not use the device in an environment with the temperature higher than the permitted level, which may cause damage to the device.
- 9) Please observe the following rules when wiping this device:
 - Non-optical surface: if necessary, use a clean and soft cloth to wipe the non-optical surface of the thermal imaging camera.
 - Optical surface: avoid soiling the optical surface of the lens when using the thermal imaging camera, and especially avoid touching the lens with your hand, because the optical coating on the glass surface may be corroded due to sweat on the hands. When the optical lens surface is contaminated, use a professional lens cloth to carefully clean it.
- 10) Do not put the cell in a high temperature environment or near high-temperature objects.

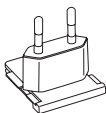
GB CN DE FR RU

- 11) Do not short-circuit the positive and negative terminals of the cell;
- 12) Do not place the cell in a humid environment or the water.

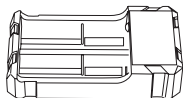
 **NOTES**

- 1) Do not expose the device to dust or moisture. When used in an environment with water, avoid splashing water on the device. The lens shall be covered when the device is not in use;
- 2) When this device is not used, please place the device and all accessories in the special packing box.

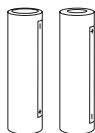
- LIST OF PARTS -



PLUG



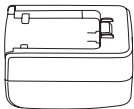
18650 CHARGER



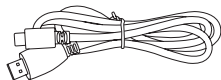
**18650 BATTERY
X2 (INCLUDING
BATTERY BOX)**



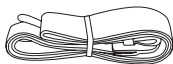
**BAG (INCLUDING
SHOULDER STRAP)**



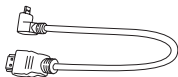
POWER ADAPTER



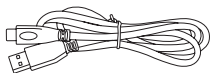
MICRO HDMI CABLE



SHOULDER STRAP



MICRO USB CABLE



TYPE-C CABLE

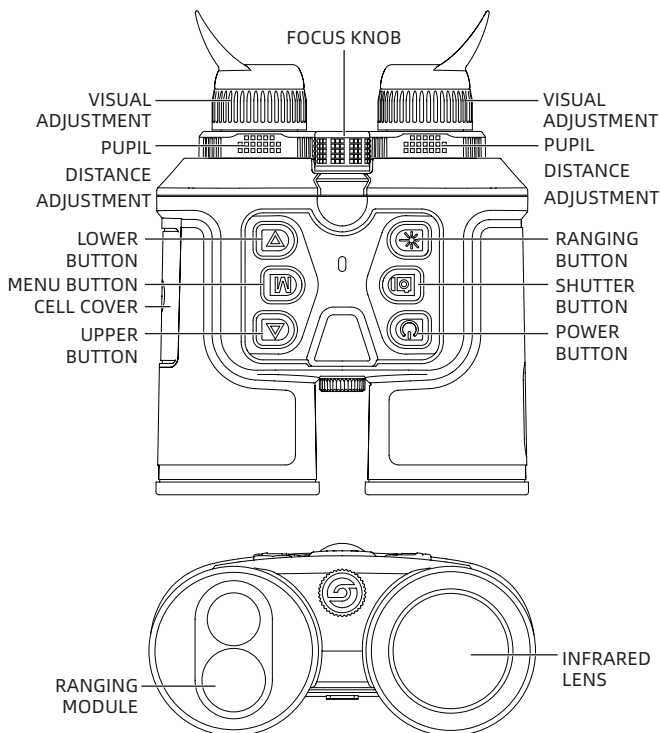
Options:



REMOTE CONTROL

- PRODUCT COMPONENTS -

This Guide is applicable to many models of this series, and only one model is shown in the figure.



1. FOCUS RING

After the thermal imaging camera is turned on, it shall be aimed at the target. When the distance between the observation target changes, the image may be blurred. Therefore, it is necessary to turn the lens focus ring to refocus until the target image is clear.

2. LENS COVER

Please cover the lens to protect the lens when the product is not in use!

3. USB TYPE-C PORT

The external port can be connected with the external power supply to supply power to the product.

The output of the external power supply is 5V2A.

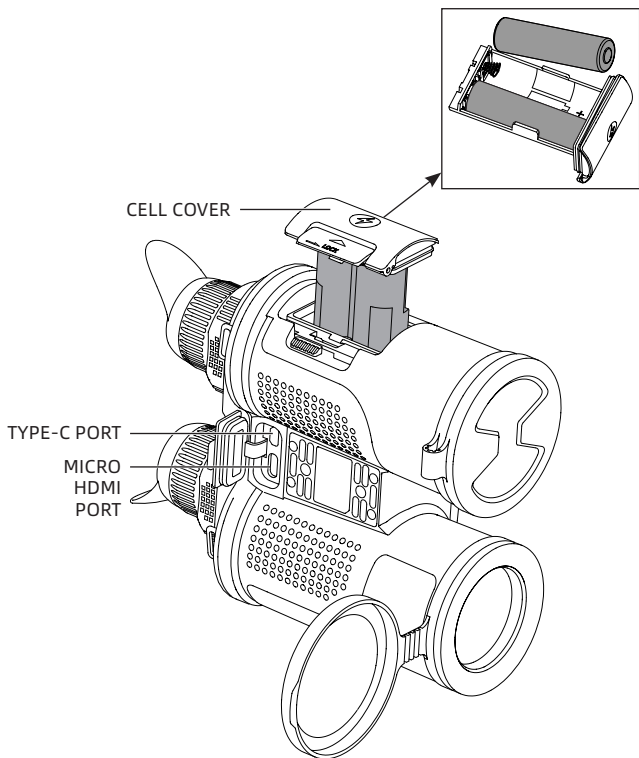
4. MICRO HDMI

Through the video cable of the external port, the external power supply and the external screen can be connected at the same time, and the image of the thermal imaging camera can be output to the external monitor for display.

5. CELL COVER

Open the cell cover as shown and insert the cell.

⚠ NOTE: please insert the cell in the direction shown in the figure, and do not push the cell forcibly.



- QUICKSTART INSTRUCTIONS -

Button	Current device status	Press	Long Press
Power button	Power on	Compensation	Display off/off
	Power off	/	Power on
	Display off	Display on	Display on
Shutter button	Menu bar not shown	Take photos	Video recording
	Menu bar display	/	/
Ranging button	Menu bar not shown	/	Turn on the distance function
	Menu bar display	/	Turn on the distance function
Menu button	Menu bar not shown	Open shortcut menu	Open Main Menu
	Menu bar display	Enter the lower menu, or confirm the options	Exit menu without saving settings
Upper button	Menu bar not shown	Switch scene mode	Zoom in
	Menu bar display	Menu options move up	/
Lower button	Menu bar not shown	Switch to color palettes	Zoom out
	Menu bar display	Menu option moves down	/

[BUTTON DESCRIPTION]

BUTTON DESCRIPTION

1. POWER BUTTON

POWER ON:

Long press and hold the power button until the startup picture appears in the eyepiece, then the device can be turned on successfully.

POWER OFF:

- a. Manual power-off: long press and hold the power button, the power-off progress bar will be displayed, and the power-off succeeds after the progress bar is finished.
- b. Automatic power-off: in the set automatic power-off time, without any button operation, the automatic power-off.

DISPLAY OFF:

Press and hold the power button, the progress bar of power-off will be displayed. Before the progress bar is finished, the power-off will be canceled and the Display off mode will be entered.

DISPLAY ON:

In Display off mode, press any button to wake the screen.

COMPENSATION:

When it is turned on and the menu is out of the state,

short-press the power on/off button to complete the corresponding compensation action (except automatic compensation).

2. PHOTOGRAPHING CONSTRUCTION

TAKE PHOTOS

When it is turned on and in the state where the menu is not recalled, short-press, take a photo and freeze the frame for 300ms to restore the real-time image.

VIDEO RECORDING

When it is turned on and in the state where the menu is not called, long press and hold the photographing button to start recording, and then long press and hold the recording again to finish recording.

During the video recording, short-press to take photos and freeze for 300ms to restore the real-time picture.

3. RANGING BUTTON

Press and hold the distance measuring button to enter single distance measuring mode, press again to enter continuous distance measuring mode, and press again to exit distance measuring.

4. UPPER BUTTON

SWITCH SCENE MODE

Short-press to switch to Natural/Highlight/Enhance.

ZOOM IN

Press and hold the upper button to enlarge the real-time picture.

5. LOWER BUTTON

SWITCHING COLOR PALETTES

Short-press the button, to switch between white hot, black hot, adjustable red hot, green hot, blue hot, iron red.

ZOOM OUT

Long press button, can be changed from zoom in to zoom out the real-time picture.

6. MENU BUTTON

SHORTCUT MENU

When it is powered on and the menu is not recalled, short-press the Menu button, and the shortcut menu option will appear.

MAIN MENU

When it is powered on and the menu is not recalled, press and hold the menu button to display the main menu option.

CONFIRM AND BACK/EXIT

When it is powered on and in the menu recall state, short-press the Menu button to confirm the current selection and return to the previous menu; Press and hold the

menu button to return to or exit the menu without saving the current settings.

[FUNCTION DESCRIPTION]

1. SHORTCUT MENU

- PIP: There are top left, top middle, and top right positions to choose from.
- Screen BRI: Screen BRI level can be adjusted, 1-10 levels can be adjusted.
- Hot track: a white cross cursor is displayed when it is turned on to trace the highest temperature point in the full image.
- Super energy-saving: After being turned on, ARM switches to low power consumption mode, OLED brightness is fixed to 20% without adjustment, WIFI, Bluetooth, ranging, GPS, compass and accelerometer cannot be turned on, if it is currently turned on, the above functions are deactivated.

2. MAIN MENU

- Image quality enhancement: image quality can be adjusted by turning on.
- Scene Mode: Three scene modes, Natural/Enhanced/Highlight, can be set.
- Color palette: can be adjusted between white hot, black hot, adjustable red hot, green hot, blue hot

and iron red.

- Brightness: detector brightness can be adjusted with 1-10 levels.

⚠ NOTE: The adjusted brightness value will be saved in the current scene mode.

- Contrast: Adjustable for 1-10 levels.

⚠ NOTE: The adjusted contrast value will be saved in the current scene mode.

- Compensation mode: automatic compensation/scene compensation/shutter compensation can be set.

- WiFi:

The WIFI can be used to transmit real-time video to the mobile phone after the mobile phone client is connected to the device, and the device can be operated through the APP to access the photos/videos of the device, photos/videos can be played, shared, deleted, etc.

⚠ NOTE: Search and download 'TargetIR' APP in the mobile phone APP store, open the APP, find the WiFi name 'Binocular-TI-xxxx' in the settings of mobile phone WiFi, and enter the password '12345678 ', remote operation after successful connection.

- GPS: After GPS is turned on, the GPS information of

the location of the device can be obtained.

- Compass: After opening and zeroing, current orientation information can be displayed.
- Accelerometer: When turned on, it can indicate the correction of the grip angle of the current device, and when the device has an angle deviation, it will give a homing prompt.
- Auto Stand-by: the Auto Stand-by time can be set to 5/10/15 min. If there is no operation within the set time, the sleep state will be entered.
- Automatic power-off: The automatic power-off time can be set to 15/30/60 minutes. If there is no button operation at the set time, the power-off will be entered, and the power-off will be completed.
- Working indicator lamp: The switch that controls the working indicator lamp.
- Time format: selectable between 12H/24H.
- Date format: Optional from YYYY-MM-DD/MM-DD-YYYY/DD-MM-YYYY.
- Time setting: enter the time adjustment port, you can adjust the device time and date.
- Watermark Settings: can be selected in Time Only/Date Only/Date Only and Time/Off when turned on.
- Language setting: Available in Chinese/English/

Russian/German/French.


- Memory card formatting: you can select formatting memory card, select 'yes', memory card formatting, select 'no', cancel the operation.
- Restore default: You can choose whether to restore the default values. Select 'Yes' to restore all parameters to factory settings; Select 'No' to cancel the operation.
- Remote control: When it is turned on, it will search for a Bluetooth remote control. After the connection is successful, it can use the Bluetooth remote control to control all functions of the button on the device (except the power-off function).

⚠ NOTE: It shall be used together with optional accessories.

- Laser indication: the display of red/yellow/green laser indication icon can be toggled.
- Indication calibration: The coordinates of the three laser Indicator icons can be set separately.
- About: Check the current device in the APP,ARM,MCU,FPGA version number and MAC address.
- Power display: When the thermal imaging camera is turned on and the cell power level changes, the

power indicator will be displayed on the lower left corner of the screen, and the part with power indicator on will display the remaining power of the cell.

- After the power-on screen to enter the real-time picture, the screen will display the icon corresponding to the above power level.

 **NOTE: When the power is low, please replace the cell in time!**

- TROUBLESHOOTING -

1. Device fails to start.

Solution: Replace the cell or connect the adapter for charging.

2. The device cannot take photos/record.

Solution: the internal storage space of the device is full, format the memory card.

3. The device display time does not match the actual time display.

Solution: Reset the time and date of the device in the menu.

4. Screen goes out during use.

Solution: Short-press any button to wake up the hibernation and light up the screen.

5. The image of the device is blurred during use.

Solution: turn the lens to focus manually until the display is clear.

- STORAGE AND TRANSPORT -

The following is the correct storage and transportation of the product. To prevent danger, property loss, etc., please read the manual carefully before using the device. Strictly observe it, and keep the instruction properly after reading it.

Storage:

1. The packaged product shall be stored in a well-ventilated, clean, condensate-free and corrosive gas-free room with temperature of $-30\text{ }^{\circ}\text{C} \sim 60\text{ }^{\circ}\text{C}$ and relative humidity not exceeding 95%.
2. Please take it out and charge it once every 3 months.

Transport:

During transport, it shall be protected against rain, water flooding and falling, without severe vibration and impact. It shall be handled with care and throwing is strictly prohibited.

- 重要说明 -

感谢您选购本产品, 请在使用前阅读此说明书, 阅读后请小心收藏, 以备日后查阅。我们希望此产品能够满足您的期望。

本手册为一个系列产品的通用手册, 这意味着您收到的特定型号产品可能与手册图片存在差异, 请以收到实物为准。

本用户手册是为方便用户使用和了解公司产品而整理, 我们将尽最大的努力保证本手册内容的准确性, 但仍不能保证本手册内容的完备性, 因为我们的产品一直在持续的更新和升级, 本公司保留随时修改而不另行通知的权利。

- FCC WARNING -

This device complies with part 15 of the FCC Rules.

Operation is subject to the following two conditions:

- (1) This device may not cause harmful interference, and
- (2) this device must accept any interference received, including interference that may cause undesired operation.

- 注意事项 -

危险

- 1) 请按照本手册中说明的方法为电池充电, 并请遵照充电步骤和注意事项。错误的充电会导致电池变热, 损坏甚至造成人体受伤。
- 2) 在任何时候都不要尝试打开或拆解电池, 一旦电池发生泄露导致液体进入人眼, 应该立刻用清水冲洗眼睛, 且进行医学护理。

警告

- 1) 在使用设备时请尽量保持稳定, 避免剧烈晃动。
- 2) 不要在超出设备许可的工作温度或储存温度环境中使用或存放仪器。
- 3) 不要将设备直接对准很高强度的热辐射源, 例如太阳, 激光器, 点焊机等。
- 4) 不要堵塞设备上的孔。
- 5) 不要敲打, 扔掷或震动仪器和配件, 以免造成损坏。
- 6) 请勿自行拆卸本机, 这有可能造成设备损坏, 并丧失保修权利。
- 7) 不要将有溶解性或类似的液体用于设备, 线缆, 这可能会导致设备的损坏。
- 8) 请不要在超过设备使用工作温度的环境下使用该设备, 这可能会导致设备的损坏。

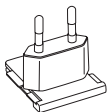
- 9) 擦拭本设备时请遵照以下措施：
- 非光学表面：在必要时可以使用干净柔软的布擦拭热像仪的非光学表面。
 - 光学表面：使用热像仪时请避免弄脏镜头的光学表面，特别要避免用手触碰镜头，因手上的汗迹会在镜头玻璃上留下痕迹且可能会腐蚀玻璃表面的光学镀膜层。当光学镜头表面受到污染时，使用专业镜头纸小心的擦拭。
- 10) 不要将电池置于高温环境或靠近高温物体。
- 11) 不要使电池的正负极短路。
- 12) 不要将电池置于潮湿环境或水中。

注意

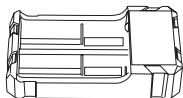
- 1) 不要将设备暴露在灰尘或潮湿的环境中。在有水的环境中使用时，应避免水溅到仪器上。在不使用仪器时应盖上镜头盖。
- 2) 当不使用本设备时，请将仪器和所有配件放置在专用包装箱内。

- 物品清单 -

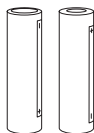
标配件:



插头



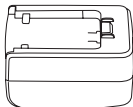
18650充电器



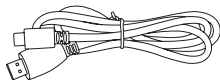
18650电池x2
(含电池盒)



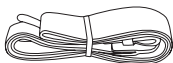
携行包(含肩带)



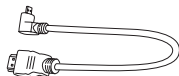
电源适配器



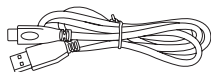
Micro HDMI 线



肩带



Micro USB 线



Type C线

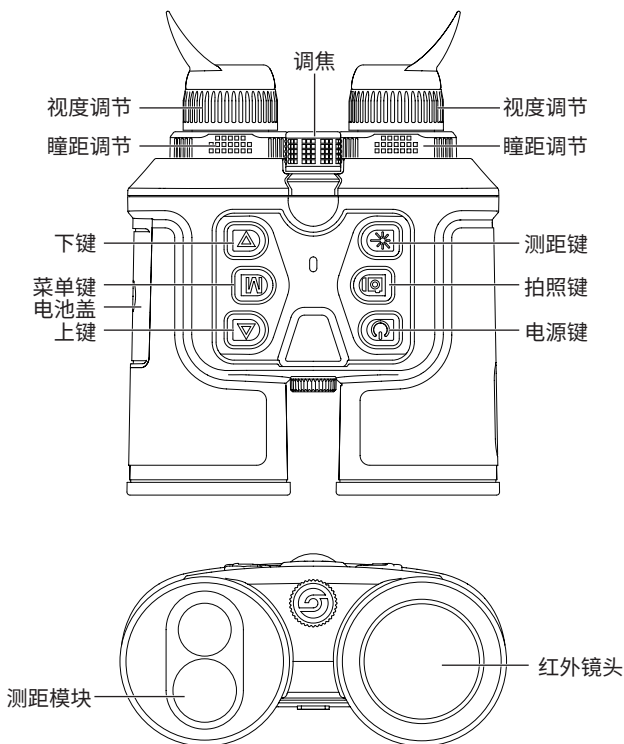
选配件:



REMOTE CONTROL

- 产品部件介绍 -

本手册适用于本系列多款机型, 图示仅为其中一款机型。



1. 调焦环

热像仪开机后,应对准观察目标,当观察目标距离发生变化时,图像可能会出现模糊不清,应转动镜头调焦环重新聚焦,直到目标图像清晰。

2. 镜头盖

请在产品未使用时,盖上镜头盖,以保护镜头!

3. USB Type C接口

通过外部接口配套USB线,可连接外部电源,可对产品进行供电。

外部电源的输出规格为5V2A。

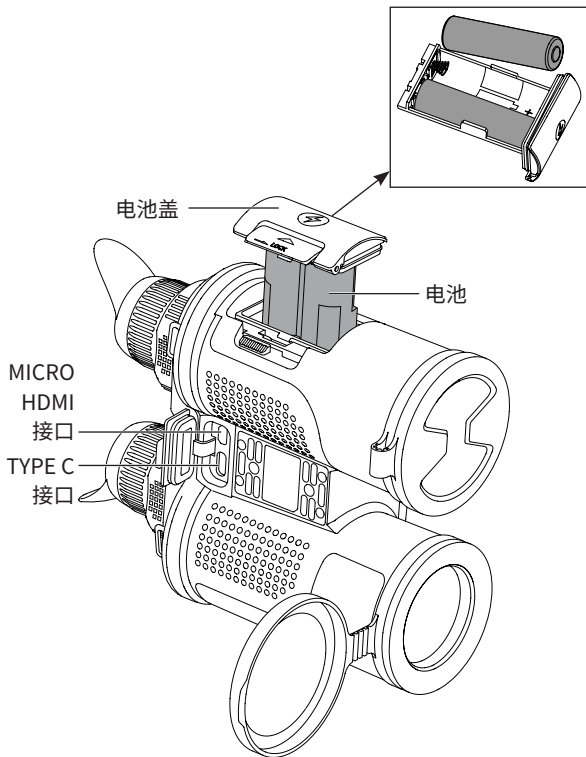
4. Micro HDMI

通过外部接口配套视频线,可同时连接外部电源与外接屏幕,将热像仪图像输出到外接监视器上显示。

5. 电池盖

请按照下图方法打开电池盖并装入电池。

⚠ 请按照图示方向装入电池,请勿强行推入电池。



- 快速操作说明 -

按键	当前设备状态	短按	长按
电源键	开机	补偿	Display off/关机
	关机	/	开机
	Display off	Display on	Display on
拍照键	菜单栏未显示	拍照	录像
	菜单栏显示	/	/
测距键	菜单栏未显示	/	打开测距功能
	菜单栏显示	/	打开测距功能
菜单键	菜单栏未显示	打开快捷菜单	打开主菜单
	菜单栏显示	进入下级菜单, 或 确认选项	不保存设置, 直接 退出菜单
上键	菜单栏未显示	切换场景模式	放大
	菜单栏显示	菜单选项向上 移动	/
下键	菜单栏未显示	切换伪彩	缩小
	菜单栏显示	菜单选项向下 移动	/

【按键说明】**1. 电源键****开机：**

长按电源键，直至目镜中出现开机画，则设备开机成功。

关机：

- a. 手动关机：长按电源键，显示关机进度条，持续至进度条走完关机成功。
- b. 自动关机：在设置的自动关机时间内，无任意键操作，则自动关机。

Display off：

长按电源键，显示关机进度条，在进度条完成前，松开电源键，则取消关机，进入Display off模式。

Display on：

在Display off模式下，按任意键，唤醒屏幕。

补偿：

开机且处于菜单未调出状态时，短按开关机键，完成相应的补偿动作（自动补偿除外）。

2. 拍照键**拍照：**

开机且处于菜单未调出状态时，短按拍照键，拍照并定格300ms后恢复实时画面。

录像：

开机且处于菜单未调出状态时，长按拍照键，开始录像，再次长按结束录像。

录像过程中短按拍照键,拍照并定格300ms后恢复实时画面。

3. 测距键

长按测距键,进入单次测距模式,再次长按,进入连续测距模式,再次长按,退出测距。

4. 上键

切换场景模式:

短按上键,可切换自然/高亮/增强。

放大:

长按上键,可放大实时画面。

5. 下键

切换伪彩:

短按下键,可切换白热,黑热,可调红热,绿热、蓝热、铁红。

缩小:

长按下键,可由放大变为缩小实时画面。

6. 菜单键

快捷菜单:

开机且处于菜单未调出状态时,短按菜单键,出现快捷菜单选项。

主菜单:

开机且处于菜单未调出状态时,长按菜单键,出现主菜单选项。

确认和返回/退出:

开机且处于菜单调出状态时,短按菜单键,当前选项确认,同时返回上一级菜单;长按菜单键,不保存当前设置并返

回或退出菜单。

【功能说明】

1. 快捷菜单

- 画中画:有左上,中上,右上三个位置可以选择。
- 屏幕亮度:可调节屏幕亮度等级,1-10级可调整。
- 热点追踪:开启时显示一个白色十字光标,追踪全图最高温点。
- 超级省电:开启后ARM切换至低功耗模式,OLED亮度固定为20%,不可调整,WIFI,蓝牙,测距,GPS,罗盘,加速度计不可开启,若当前已经开启,则以上功能关闭。

2. 主菜单

- 画质增强:开启可调整成像画质。
- 场景模式:可设置自然/增强/高亮三种场景模式。
- 伪彩:可在白热,黑热,可调红热,绿热、蓝热、铁红中调整。
- 亮度:可调节探测器亮度,1-10个等级可调。

▲ 注:亮度调节后的值会保存在当前场景模式下。

- 对比度:可调节对比度,1-10个等级可调。

▲ 注:对比度调节后的值会保存在当前场景模式下。

- 补偿方式:可设置自动补偿/场景补偿/快门补偿三种补偿方式。

- WiFi:

WIFI开关,当手机客户端和设备端连接后,可传输实

时视频到手机端,可以通过APP端操作设备端,访问设备端照片/录像,可执行照片/录像播放,分享,删除等操作.

▲注:在手机端应用市场搜索并下载‘TargetIR’ APP,打开APP,并在手机WiFi设置中找到‘Binocular-TI-xxxx’的WiFi名称,输入密码‘12345678’,连接成功即可远程操作。

- GPS:打开GPS后,可获取设备所在地的GPS信息。
- 罗盘:打开后,经过校准,可显示当前方位信息。
- 加速度计:打开后可指示校正当前设备的握持角度,当设备出现角度偏差时,给出归位提示。
- 自动休眠:可设置自动休眠时间5/10/15分钟,设置时间内无任意操作,则进入休眠状态。
- 自动关机:可设置自动关机时间15/30/60分钟,到设定的时间若无任意按键操作则进入关机倒计时,倒计时结束后关机。
- 工作指示灯:控制工作指示灯的开关。
- 时间格式:可在12H/24H两种中选择。
- 日期格式:可在YYYY-MM-DD/MM-DD-YYYY/DD-MM-YYYY中选择。
- 时间设置:进入时间调整界面,可调整设备时间和日期。
- 水印设置:开启后可在仅时间/仅日期/日期和时间/关中选择。

- 语言设置:可在中/英/俄/德/法中选择。
- 内存卡格式化:可选择格式化内存卡,选择‘是’,内存卡格式化,选择‘否’,取消操作。
- 恢复默认值:可选择是否恢复默认值。选择‘是’,所有参数恢复到出厂设置;选择‘否’,取消操作。
- 遥控器:开启后,会搜索连接蓝牙遥控器,连接成功后,可使用蓝牙遥控器控制设备上按键的所有功能(关机功能除外)。

⚠ 注:需配合选配件使用。

- 激光指示:可切换红/黄/绿三种激光指示图标的数据显示。
- 指示校准:可分别设置三种激光指示图标坐标。
- 关于:可查看当前设备中的APP,ARM,MCU,FPGA版本号和MAC地址。
- 电量显示:当热像仪处于开启状态,电池电量等级变化时,电量标识显示于屏幕的左下角,电量标识亮亮的部分显示电池剩余电量。
- 开机进入实时画面后,屏幕左下角会显示上述电量等级相对应图标。

⚠ 注:电量低时,请及时更换电池!

- 常见故障排除指南 -

1. 设备无法开机

解决方法:更换电池或连接适配器充电

2. 设备无法拍照/录像

解决方法:热成像仪内部存储空间已满,需格式化内存卡

3. 设备显示时间与实际时间显示不符

解决方法:在菜单中重新设置热成像仪的时间日期

4. 使用过程中屏幕熄灭

解决方法:短按任意键唤醒休眠点亮屏幕

5. 使用时设备成像模糊不清

解决方法:转动镜头手动进行调焦,直至显示清晰

- 贮存和运输 -

下面是关于热成像仪的正确贮存和运输方法。为预防危险、防止财产受到损失等内容,使用设备前请仔细阅读本说明书并在使用时严格遵守,阅读后请妥善保存说明书。

贮存:

1. 经包装后的热成像仪贮存环境为 $-30^{\circ}\text{C}\sim 60^{\circ}\text{C}$ 、相对湿度不超过95%、无凝结无腐蚀性气体、通风良好、清洁的室内。
2. 请固定间隔3个月取出充电一次。

运输:

运输流通中应防雨淋、水浸、倒放,不应有剧烈振动和冲击,搬运过程中要小心轻放,严禁抛摔。

- WICHTIGER HINWEIS -

Vielen Dank, dass Sie sich für dieses Produkt entschieden haben. Bitte lesen Sie diese Anleitung, bevor Sie es verwenden. Bitte setzen Sie nach dem Lesen ein Lesezeichen für die spätere Verwendung. Wir hoffen, dass dieses Produkt Ihre Erwartungen erfüllt.

Diese Anleitung ist eine allgemeine Anleitung für eine Reihe von Produkten, was bedeutet, dass das bestimmte Modell, das Sie erhalten, von der Abbildung der Anleitung abweichen kann, bitte beziehen Sie sich auf das tatsächliche Produkt, das Sie erhalten.

Diese Anleitung wurde erstellt, um den Anwendern die Nutzung und das Verständnis unserer Produkte zu erleichtern. Wir tun unser Bestes, um die Richtigkeit des Inhalts dieses Handbuchs zu gewährleisten, können aber dennoch keine Garantie für die Vollständigkeit des Inhalts dieses Handbuchs übernehmen, da unsere Produkte ständig aktualisiert und erweitert werden. Wir behalten uns das Recht vor, jederzeit und ohne Vorankündigung Änderungen vorzunehmen.

GB CN **DE** FR RU

- FCC WARNING -

This device complies with part 15 of the FCC Rules.

Operation is subject to the following two conditions:

(1) This device may not cause harmful interference, and (2) this device must accept any interference received, including interference that may cause undesired operation.

- VORSICHT -** GEFAHR**

- 1) Bitte laden Sie den Akku wie in diesem Handbuch beschrieben und beachten Sie die Ladeverfahren und Vorsichtsmaßnahmen. Falsches Laden kann dazu führen, dass der Akku heiß wird, beschädigt wird oder sogar Personenschäden verursacht.
- 2) Versuchen Sie zu keiner Zeit, den Akku zu öffnen oder zu zerlegen. Falls der Akku ausläuft und Flüssigkeit in das menschliche Auge gelangt, sollte das Auge sofort mit Wasser ausgespült und ärztliche Hilfe in Anspruch genommen werden.

 WARNUNG

- 1) Halten Sie das Gerät bei der Verwendung so stabil wie möglich und vermeiden Sie heftiges Schütteln.
- 2) Verwenden oder lagern Sie das Gerät nicht in einer Umgebung, in der die Betriebs- oder Lagertemperatur des Geräts die zulässige Temperatur überschreitet.
- 3) Richten Sie das Gerät nicht direkt auf Quellen mit sehr starker Wärmestrahlung, wie z. B. Sonne, Laser, Punktschweißgeräte usw.

- 4) Blockieren Sie keine Löcher im Gerät.
- 5) Stoßen, werfen oder schütteln Sie das Gerät und das Zubehör nicht, da dies zu Schäden führen kann.
- 6) Demontieren Sie das Gerät nicht selbst, da dies zu Schäden am Gerät und zum Verlust der Garantieansprüche führen kann.
- 7) Verwenden Sie keine löslichen oder ähnlichen Flüssigkeiten auf dem Gerät und den Kabeln, die das Gerät beschädigen können.
- 8) Verwenden Sie das Gerät nicht in einer Umgebung, in der die Betriebstemperatur des Geräts überschritten wird, dies kann zu Schäden am Gerät führen.
- 9) Beachten Sie beim Abwischen dieses Geräts die folgenden Maßnahmen:
 - Nicht-optische Oberflächen: Die nicht-optischen Oberflächen der Kamera können bei Bedarf mit einem sauberen, weichen Tuch abgewischt werden.
 - Optische Oberflächen: Vermeiden Sie bei der Verwendung der Wärmebildkamera die Verschmutzung der optischen Oberfläche des Objektivs, insbesondere vermeiden Sie

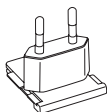
es, das Objektiv mit den Händen zu berühren, da der Schweiß Ihrer Hände Spuren auf dem Objektivglas hinterlässt und die optische Beschichtung auf der Glasoberfläche angreifen kann. Wenn die Oberfläche der optischen Linse verschmutzt ist, verwenden Sie professionelles Linsenpapier, um sie vorsichtig abzuwischen.

- 10) Legen Sie den Akku nicht in eine heiße Umgebung oder in die Nähe heißer Gegenstände.
- 11) Schließen Sie den Plus- und Minuspol der Batterie nicht kurz.
- 12) Legen Sie den Akku nicht in eine feuchte Umgebung oder in Wasser.

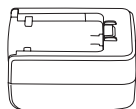
HINWEIS

- 1) Setzen Sie das Gerät weder Staub noch Feuchtigkeit aus. Wenn Sie das Gerät in einer Umgebung mit Wasser verwenden, vermeiden Sie Wasserspritzer auf dem Gerät. Decken Sie den Objektivdeckel ab, wenn das Gerät nicht verwendet wird.
- 2) Legen Sie das Gerät und alle Zubehörteile in den Spezialkoffer, wenn das Gerät nicht benutzt wird.

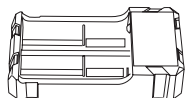
- LIST OF PARTS-



STECKER



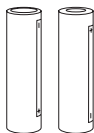
NETZADAPTER



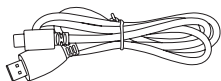
18650
LADEGERÄT



TRAGETASCHE (MIT
SCHULTERGURT)



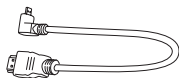
18650 AKKUX2
(MIT AKKU-BOX)



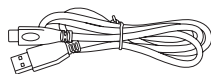
MICRO HDMI KABEL



SCHULTERGURT



MICRO USB KABEL



TYPE-C CABLE

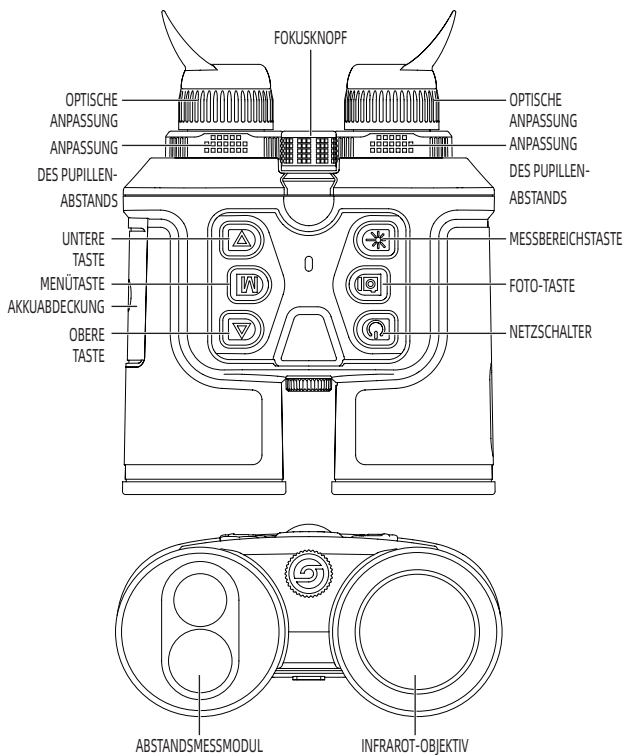
Optional:



FERNBEDIENUNG

- EINFÜHRUNG DER PRODUKTTEILE-

Diese Anleitung ist für eine Vielzahl von Uhrwerken dieser Serie anwendbar, die Abbildung ist nur eines der Modelle.



1. FOKUSRING

Nach dem Einschalten der Kamera sollte sie auf das Beobachtungsziel ausgerichtet werden. Wenn sich der Abstand des Beobachtungsziels ändert, kann das Bild unscharf erscheinen, Sie sollten den Fokusring des Objektivs drehen, um neu zu fokussieren, bis das Zielbild klar ist.

2. OBJEKTIVABDECKUNG

Bitte decken Sie die Objektivabdeckung ab, wenn das Produkt nicht in Gebrauch ist, um das Objektiv zu schützen!

3. USB-TYP-C-ANSCHLUSS

Die externe Stromversorgung kann über die externe Schnittstelle mit einem USB-Kabel angeschlossen werden, und das Produkt kann geladen werden.

Die Ausgangsspezifikation des externen Netzteils beträgt 5V2A.

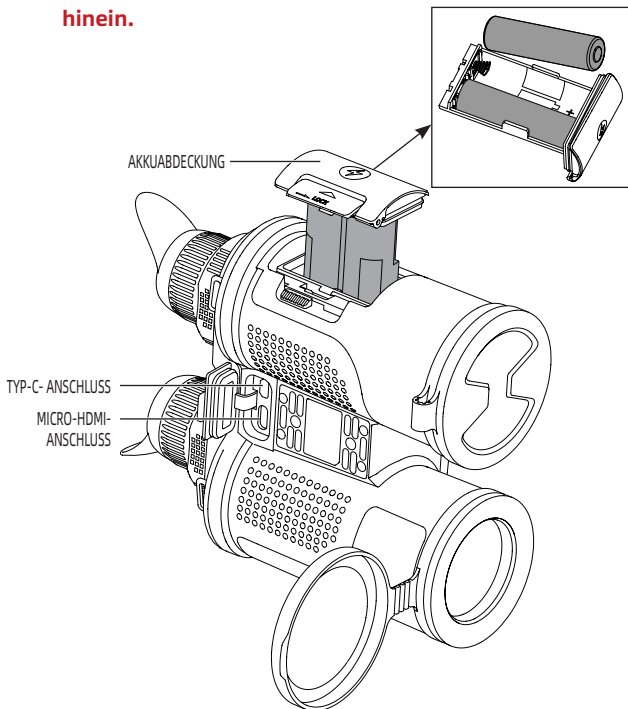
4. MICRO HDMI

Über die externe Schnittstelle mit einem Videokabel können Sie die externe Stromversorgung und den externen Bildschirm gleichzeitig anschließen und das Bild der Wärmebildkamera zur Anzeige auf dem externen Monitor ausgeben.

5. AKKUABDECKUNG

Bitte öffnen Sie die Akkuabdeckung und setzen Sie den Akku wie in der Abbildung gezeigt ein.

⚠ Hinweis: Bitte installieren Sie den Akku entsprechend der gezeigten Richtung, drücken Sie den Akku nicht hinein.



- KURZANLEITUNG ZUR BEDIENUNG-

Taste	Aktueller Gerätestatus	Kurz drücken	Lang drücken
Netzschalter	Einschalten	Kompensation	Anzeige aus/ Ausschalten
	Ausschalten	/	Einschalten
	Anzeige aus	Display on	Display on
Foto-Taste	Menüleiste nicht angezeigt	Foto	Video
	Menüleiste angezeigt	/	/
Messbereichstaste	Menüleiste nicht angezeigt	/	Einschalten der Messbereichsfunktion
	Menüleiste angezeigt	/	Einschalten der Messbereichsfunktion
Menütaste	Menüleiste nicht angezeigt	Schnellmenü öffnen	Hauptmenü öffnen
	Menüleiste angezeigt	Zum Menü der nächsten Ebene gehen, oder die Option bestätigen	Direktes Verlassen des Menüs ohne Speichern der Einstellungen
Obere Taste	Menüleiste nicht angezeigt	Umschalten des Szenenmodus	Vergrößern
	Menüleiste angezeigt	Menüpunkte bewegen sich nach oben	/
Untere Taste	Menüleiste nicht angezeigt	Pseudo-Farbe umschalten	Verkleinern
	Menüleiste angezeigt	Menüoptionen bewegen sich nach unten	/

[TASTENBESCHREIBUNGEN]**TASTENBESCHREIBUNGEN****1. NETZSCHALTER****EINSCHALTEN:**

Halten Sie den Netzschalter lange gedrückt, bis das Einschaltbild im Okular erscheint, dann ist das IR-Pistolenvisier erfolgreich eingeschaltet.

AUSSCHALTEN:

- a. Manuelles Ausschalten: Halten Sie den Netzschalter gedrückt, der Fortschrittsbalken für das Ausschalten wird angezeigt, fahren Sie fort, bis der Fortschrittsbalken zu Ende ist, dann wird das Gerät erfolgreich ausgeschaltet.
- b. Automatisches Ausschalten: Wenn innerhalb der eingestellten automatischen Abschaltzeit keine Tastenbetätigung erfolgt, wird das Gerät automatisch abgeschaltet.

ANZEIGE AUS:

Halten Sie den Netzschalter gedrückt, um den Fortschrittsbalken für das Ausschalten anzuzeigen, und lassen Sie den Netzschalter los, bevor der Fortschrittsbalken zu Ende ist, um das Ausschalten abzubrechen und in den Modus "Anzeige aus" zu wechseln.

ANZEIGE EIN:

Drücken Sie im Modus "Anzeige aus" eine beliebige Taste, um die Anzeige aufzuwecken.

KOMPENSATION:

Wenn das Gerät eingeschaltet ist und sich im nicht aufgerufenen Zustand des Menüs befindet, drücken Sie kurz den Netzschalter , um die entsprechende Kompensationsaktion durchzuführen (außer der automatischen Kompensation).

2. FOTO-TASTE

FOTO MACHEN:

Wenn das Gerät eingeschaltet ist und das Menü nicht angezeigt wird, drücken Sie kurz die Foto-Taste, um ein Bild aufzunehmen und das Bild nach 300 ms einzufrieren

VIDEO:

Wenn das Gerät eingeschaltet ist und sich im Menü befindet, drücken Sie die Foto-Taste lange, um die Aufnahme zu starten, und erneut lange, um die Aufnahme zu beenden.

Drücken Sie während der Aufnahme kurz die Foto-Taste, nehmen Sie ein Bild auf und frieren Sie es 300ms lang ein, um dann den Live-Bildschirm wieder aufzunehmen.

3. MESSBEREICHSTASTE:

Drücken Sie die Messbereichstaste und halten Sie sie

gedrückt, um in den Einzelmessbereichsmodus zu gelangen, drücken Sie sie erneut und halten Sie sie gedrückt, um in den kontinuierlichen Messbereichsmodus zu gelangen, drücken Sie sie erneut und halten Sie sie gedrückt, um den Messbereich zu verlassen.

4. OBERE TASTE

UMSCHALTEN DES SZENENMODUS:

Drücken Sie kurz die obere Taste, um zwischen Natürlich/Hervorheben/Verstärken umzuschalten.

VERGRÖßERN:

Drücken Sie lange obere Taste, um den Live-Bildschirm zu vergrößern.

5. UNTERE TASTE:

Umschalten der Pseudo-Farbe: Kurzes Drücken der untere Taste zum Umschalten von weißer Hitze, schwarzer Hitze, einstellbarer roter Hitze, grüner Hitze, blauer Hitze, Eisenrot.

VERKLEINERN:

Drücken Sie lange die untere Taste, um von der Vergrößerung zur Verkleinerung des Live-Bildschirms zu wechseln.

6. MENÜ-TASTE

SCHNELLMENÜ:

Wenn das Gerät eingeschaltet ist und das Menü nicht

ausgeschaltet ist, drücken Sie kurz die Menütaste, um das Schnellmenü aufzurufen.

HAUPTMENÜ

Wenn das Gerät eingeschaltet ist und das Menü aufgerufen wird, drücken Sie die Menütaste lange, um die Hauptmenüoption anzuzeigen.

BESTÄTIGEN UND ZURÜCKKEHREN/VERLASSEN

Wenn das Gerät eingeschaltet ist und das Menü nicht angezeigt wird, drücken Sie kurz die Menütaste, um die aktuelle Option zu bestätigen und zum vorherigen Menü zurückzukehren; drücken Sie lang die Menütaste, um die aktuelle Einstellung nicht zu speichern und zum Menü zurückzukehren oder es zu verlassen.

[BESCHREIBUNG DER FUNKTION]

1. SCHNELLMENÜ

- Bild-im-Bild: Es stehen drei Positionen zur Auswahl: oben links, oben Mitte und oben rechts.
- Bildschirmhelligkeit: Einstellbare Bildschirmhelligkeit, 1-10 Stufen können eingestellt werden.
- Hotspot-Verfolgung: Anzeige eines weißen Kreuz-Cursors, um den heißesten Punkt auf der Karte zu verfolgen, wenn dieser eingeschaltet ist.
- Ultra-Energiesparmodus: ARM schaltet in den Energiesparmodus, OLED-Helligkeit ist fest auf 20

% eingestellt, nicht einstellbar, WIFI, Bluetooth, Reichweite, GPS, Kompass, Beschleunigungsmesser sind nicht verfügbar. Wenn sie gerade eingeschaltet ist, sind die oben genannten Funktionen ausgeschaltet.

2. HAUPTMENÜ

- Bildqualitätsverbesserung: Schalten Sie diese Option ein, um die Bildqualität zu verbessern.
- Szenenmodus: Sie können drei Szenenmodi einstellen: natürlich/erweitert/Highlight.
- Pseudo-Farbe: kann in weißer Hitze/schwarzer Hitze/einstellbarer roter Hitze/Eisenrot/blauer Hitze/grüner Hitze eingestellt werden.
- Helligkeit: Einstellbare Detektorhelligkeit, einstellbar von 1-10 Stufen.

⚠ HINWEIS: Der Wert nach der Helligkeitseinstellung wird im aktuellen Szenenmodus gespeichert.

- Kontrast: Einstellbarer Kontrast, einstellbar von 1-10 Stufen.

⚠ HINWEIS: Der Wert nach der Kontrasteinstellung wird im aktuellen Szenenmodus gespeichert.

- Kompensationsmodus: Es können drei Arten von Kompensationsmodi eingestellt werden: automatische Kompensation/Szenenkompensation/

Verschlusskompensation.

- WiFi:

WiFi-Schalter, wenn der Mobiltelefon-Client und die Geräteseite verbunden sind, können Sie Echtzeit-Videos auf die Mobiltelefonseite übertragen, Sie können die Geräteseite über die APP-Seite bedienen, auf die Fotos/Videos der Geräteseite zugreifen, Sie können Foto-/Videowiedergabe, Freigabe, Löschen und andere Operationen durchführen.

⚠ HINWEIS: Suchen und laden Sie die APP "TargetIR" im Markt für mobile Anwendungen herunter, öffnen Sie die APP und suchen Sie den WiFi-Namen "SCOPE-TI-xxxx" in den mobilen WiFi-Einstellungen, geben Sie das Passwort "12345678" ein und stellen Sie eine erfolgreiche Verbindung her, um aus der Ferne zu arbeiten.

- GPS: Wenn das GPS eingeschaltet ist, kann es die GPS-Informationen über den Standort des Geräts abrufen.
- Kompass: Wenn er eingeschaltet ist, kann er nach der Kalibrierung die aktuellen Peilungsinformationen anzeigen.
- Beschleunigungssensor: Wenn er geöffnet ist, kann er die Korrektur des aktuellen Griffwinkels des Geräts

anzeigen und bei einer Winkelabweichung des Geräts eine Referenzmeldung ausgeben.

- Automatische Einschlafzeit: Sie können eine automatische Einschlafzeit von 5/10/15 Minuten einstellen, wenn innerhalb der eingestellten Zeit keine beliebige Bedienung erfolgt, geht das Gerät in den Ruhezustand über.
- Automatische Abschaltung: Sie können eine automatische Abschaltzeit von 15/30/60 Minuten einstellen. Wenn zur eingestellten Zeit keine Tastenbetätigung erfolgt, beginnt der Countdown für die Abschaltung und das Gerät schaltet sich nach Ablauf des Countdowns ab.
- Arbeitsanzeige: steuert den Schalter der Arbeitsanzeige.
- Zeitformat: kann zwischen 12H/24H wählen.
- Datumsformat: wählbar zwischen JJJJ-MM-TT/MM-TT-JJJJ/TT-MM-JJJJ.
- Zeiteinstellung: Rufen Sie die Zeiteinstellungsoberfläche auf, um die Gerätezeit und das Datum einzustellen.
- Wasserzeichen-Einstellung: Schalten Sie ein, um zwischen nur Zeit/Datum/Datum und Zeit/Aus zu wählen.

- Spracheinstellung: Sie können zwischen Chinesisch/ Englisch/Russisch/Deutsch/Französisch wählen.
- Speicherkarte formatieren: Sie können wählen, ob Sie die Speicherkarte formatieren möchten, wählen Sie "Ja", wird die Speicherkarte formatiert, wählen Sie "Nein", um den Vorgang abzubrechen.
- Standardwerte wiederherstellen: Sie können wählen, ob die Standardwerte wiederhergestellt werden sollen. Wählen Sie "Ja", um alle Parameter auf die Werkseinstellungen zurückzusetzen; wählen Sie "Nein", um den Vorgang abzubrechen.
- Fernbedienung: Nach dem Öffnen wird nach einer Bluetooth-Fernbedienung gesucht und eine Verbindung hergestellt. Nach erfolgreicher Verbindung können Sie mit der Bluetooth-Fernbedienung alle Funktionen der Tasten am Visier steuern (außer den Funktionen, die langes Drücken erfordern).

⚠ HINWEIS: muss mit optionalem Zubehör verwendet werden.

- Laseranzeige: Sie können die Anzeige der roten/ gelben/grünen Laseranzeige-Symbole umschalten.
Anzeigekalibrierung: Sie können die Koordinaten der drei Laseranzeigesymbole separat einstellen.

- Über: Sie können die APP-, ARM-, MCU-, FPGA-Versionsnummer und die MAC-Adresse im aktuellen Gerät anzeigen.
- Stromanzeige: Wenn die Kamera eingeschaltet ist und sich der Batteriestand ändert, wird die Strommarkierung in der oberen rechten Ecke des Bildschirms angezeigt, und der von der Strommarkierung beleuchtete Teil zeigt die verbleibende Batterieleistung an.
- Wenn die Kamera eingeschaltet ist und den Echtzeitbildschirm aufruft, wird in der oberen rechten Ecke des Bildschirms das Symbol angezeigt, das der obigen Leistungsstufe entspricht.

⚠ HINWEIS: Bei niedrigem Leistungspegel tauschen Sie bitte den Akku aus oder laden ihn rechtzeitig auf!

- ANLEITUNG ZUR ALLGEMEINEN FEHLERBEHEBUNG-

1. Gerät lässt sich nicht einschalten

Lösung: Tauschen Sie den Akku aus oder schließen Sie den Adapter zum Laden an

2. Gerät kann keine Fotos/Videos aufnehmen

Lösung: Der interne Speicherplatz des Geräts ist voll, die Speicherkarte muss formatiert werden

3. Geräteanzeigezeit und die tatsächliche Zeitanzeige stimmen nicht überein

Lösung: Setzen Sie die Uhrzeit und das Datum des Geräts im Menü zurück

4. Der Bildschirm erlischt während der Benutzung

Lösung: Drücken Sie kurz eine beliebige Taste, um den Ruhezustand aufzuwecken und die Anzeige zu beleuchten

5. Die Geräteabbildung ist unscharf bei Verwendung

Lösung: Drehen Sie das Objektiv, um den Fokus manuell einzustellen, bis die Anzeige klar ist.

-LAGERUNG UND TRANSPORT-

Im Folgenden geht es um die richtige Lagerung und den Transport des Produkts. Um Gefahren und Sachschäden usw. zu vermeiden, lesen Sie bitte diese Anleitung vor der Benutzung des Geräts sorgfältig durch und befolgen Sie sie bei der Benutzung genau. Bitte bewahren Sie die Betriebsanleitung nach dem Lesen gut auf.

Lagerung:

1. Die Lagerumgebung des verpackten Produkts ist -30°C $\sim 60^{\circ}\text{C}$, relative Luftfeuchtigkeit nicht mehr als 95%, keine Kondensation und kein korrosives Gas, gut belüftet und Reinraum.
2. Bitte in einem festen Intervall von 3 Monaten herausnehmen und aufladen.

Transport:

Der Transportkreislauf sollte vor Regen, Wasser, auf dem Kopf stehend, vor heftigen Vibrationen und Stößen geschützt werden. Bei der Handhabung ist Vorsicht geboten, und das Werfen ist strengstens verboten.

- À LIRE EN PREMIER -

Merci de choisir notre produit. Veuillez lire ce manuel avant de l'utiliser et puis le conserver soigneusement pour consultation ultérieure. Nous espérons que ce produit pourra répondre à vos attentes.

Ce manuel est un manuel général pour une série de produits, ce qui signifie que le produit de modèle spécifique que vous avez reçu peut être différent de celui qui est montré dans l'image du manuel, dans ce cas, le produit réel fait foi.

Ce manuel d'utilisation est établi pour faciliter aux utilisateurs l'utilisation et la compréhension de nos produits. Nous ferons de notre mieux pour garantir l'exactitude du contenu de ce manuel, mais nous ne pouvons pas garantir son intégrité en raison de constantes améliorations apportées à nos produits, notre société se réserve le droit de modifier le manuel à tout moment sans préavis.

GB CN DE **FR** RU

- FCC WARNING -

This device complies with part 15 of the FCC Rules.

Operation is subject to the following two conditions:

(1) This device may not cause harmful interference, and (2) this device must accept any interference received, including interference that may cause undesired operation.

- PRÉCAUTIONS -

DANGER

- 1) Veuillez recharger la batterie en fonction des méthodes décrites dans ce manuel, et suivez les étapes de recharge et les précautions. Une recharge incorrecte entraînera un échauffement de la batterie, des dommages ou même des blessures corporelles.
- 2) N'essayez en aucun cas d'ouvrir ou de démonter la batterie. Une fois que la batterie fuit, et que le liquide pénètre dans les yeux, il faut immédiatement rincer les yeux à l'eau et recevoir des soins médicaux.

AVERTISSEMENT

- 1) Lorsque vous utilisez l'appareil, maintenez-le stable autant que possible et évitez les secousses violentes.
- 2) N'utilisez ni stockez l'appareil dans un environnement où la température dépasse celle de service ou de stockage.
- 3) Ne pointez pas l'appareil vers les sources de rayonnement thermique à forte intensité, telles que le soleil, les lasers, les soudeuses par points,

etc..

- 4) Ne bloquez pas les trous sur l'appareil.
- 5) Ne frappez pas, ne jetez pas ou ne secouez pas l'appareil et ses accessoires pour éviter des dommages.
- 6) Ne démontez pas vous-même l'appareil, sinon, l'appareil risque d'être endommagé et la garantie s'échoit.
- 7) N'utilisez pas de liquides solubles ou similaires pour l'appareil et les câbles, car des dommages de l'appareil pourront être causés dans ce cas.
- 8) N'utilisez pas l'appareil dans un environnement où la température dépasse celle de service afin de prévenir tout dommage.
- 9) Veuillez respecter les instructions suivantes lors de l'essuyage de l'appareil:
 - Surface non optique : si nécessaire, utilisez un chiffon doux et propre pour essuyer la surface non optique de la caméra thermique.
 - Surface optique : veuillez éviter de tacher la surface optique de l'objectif lors de l'utilisation de la caméra thermique, en particulier, ne touchez pas l'objectif avec les doigts, car la sueur sur votre doigt laissera des marques

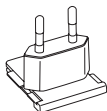
sur le verre de l'objectif et pourrait corroder la couche protectrice optique sur la surface du verre. Lorsque la surface de l'objectif est contaminée, essuyez-la soigneusement avec du papier de nettoyage professionnel d'objectif.

- 10) N'exposez pas la batterie à une chaleur extrême ou ne l'approchez pas d'objets chauffants.
- 11) Ne court-circuitez pas les pôles + et - de la batterie.
- 12) N'exposez pas la batterie à l'humidité ou à l'eau .

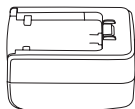
 **ATTENTION**

- 1) N'exposez pas l'appareil à la poussière ou à l'humidité. Lors de l'utilisation dans un environnement humide, évitez les projections d'eau sur l'appareil. Mettez en place le couvre-objectif lorsque l'appareil n'est pas utilisé ;
- 2) En cas de non-utilisation, veuillez ranger l'appareil et tous ses accessoires dans une boîte d'emballage spéciale.

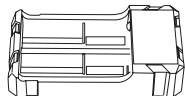
-LISTE D'OBJETS-



FICHE



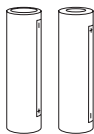
ADAPTATEUR
D'ALIMENTATION



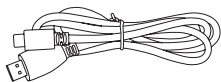
CHARGEUR
18650



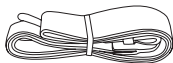
SAC DE VOYAGE
(Y COMPRIS LE
SANGLE)



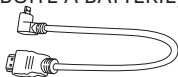
BATTERIE 18650
X2 (Y COMPRIS LA
BOÎTE À BATTERIE)



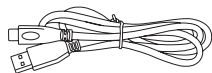
CÂBLE MICRO HDMI



SANGLE



CÂBLE MICRO USB



CÂBLE TYPE C

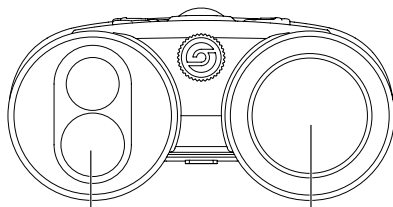
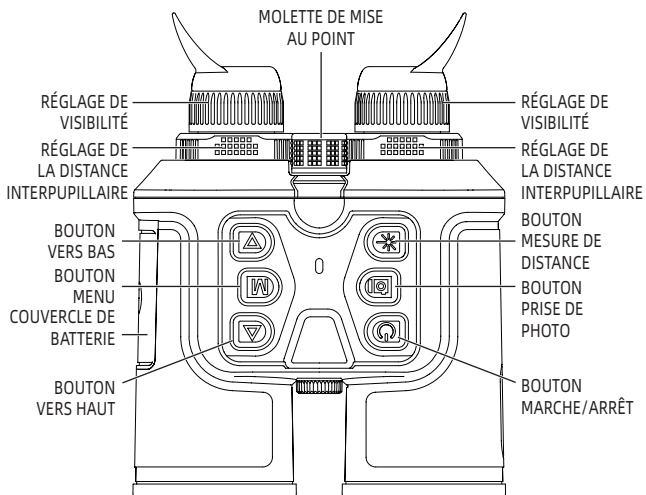
Accessoires en option:



TÉLÉCOMMANDE

- PRÉSENTATION DES COMPOSANTS -

Ce manuel s'applique à de nombreux modèles de cette série, et l'image ci-dessus ne montre qu'en un.



1. BAGUE DE MISE AU POINT

Une fois la caméra thermique allumée, il faut la pointer vers la cible. Lorsque celle-ci se déplace, l'image pourra être floue, et vous devez tourner la bague de mise au point de l'objectif pour effectuer la mise au point jusqu'à ce que l'image cible soit nette.

2. COUVRE-OBJECTIF

Veuillez protéger le l'objectif à l'aide du couvre-objectif en cas de non-utilisation du produit !

3. INTERFACE USB TYPE C

Le câble USB peut être connecté à l'alimentation externe via l'interface externe pour alimenter en électricité le produit.

Tension et courant de sortie de l'alimentation externe : 5V2A.

4. MICRO HDMI

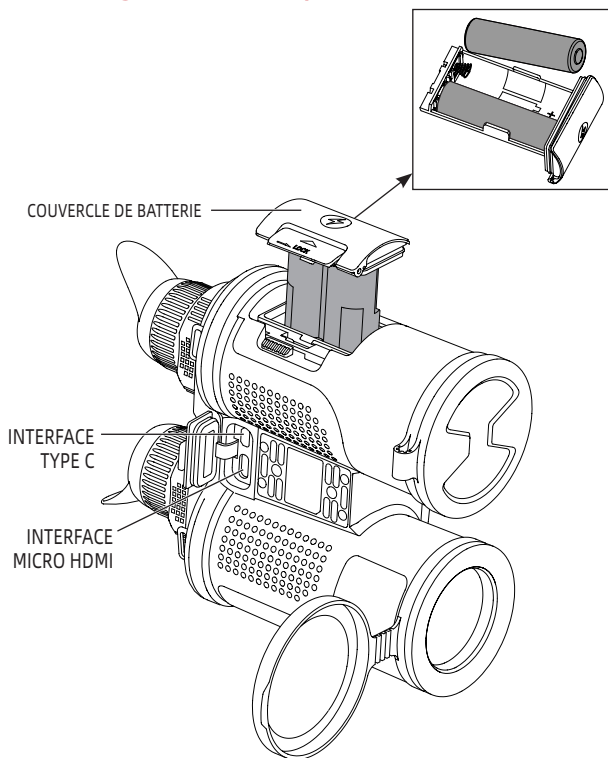
La caméra thermique peut être simultanément connectée à l'alimentation externe et à l'écran externe par le câble vidéo fourni avec l'interface externe, permettant ainsi de sortir et d'afficher l'image sur un moniteur externe.

5. COUVERCLE DE BATTERIE

Veuillez ouvrir le couvercle de batterie et mettre en place

la batterie en suivant les méthodes indiquées sur la figure.

▲ NOTA: veuillez installer la batterie dans le sens indiqué sur la figure, ne l'insérez pas avec force.



- INSTRUCTIONS D'UTILISATION RAPIDE-

Bouton	État de l'appareil actuel	Appuyer brièvement	Maintenir enfoncé
Bouton marche/arrêt	Mise en marche	Compensation	Display off/Arrêt
	Arrêt	/	Mise en marche
	Display off	Display on	Display on
Bouton prise de photo	La barre de menu ne s'affiche pas	Prise de photo	Enregistrement vidéo
	La barre de menu s'affiche	/	/
Bouton mesure de distance	La barre de menu ne s'affiche pas	/	Activer la fonction de mesure de distance
	La barre de menu s'affiche	/	Activer la fonction de mesure de distance
Bouton menu	La barre de menu ne s'affiche pas	Ouvrir le menu de raccourcis	Ouvrir le menu principal
	La barre de menu s'affiche	Accéder au menu inférieur ou confirmer l'option	Quitter le menu sans enregistrer les paramètres
Bouton vers haut	La barre de menu ne s'affiche pas	Basculer entre les différents modes scène	Zoom avant
	La barre de menu s'affiche	Les options de menu se déplacent vers haut	/
Bouton vers bas	La barre de menu ne s'affiche pas	Basculer entre les différentes pseudocouleurs	Zoom arrière
	La barre de menu s'affiche	Les options de menu se déplacent vers bas	/

[DESCRIPTION DES BOUTONS]

1. BOUTON MARCHE/ARRÊT

MISE EN MARCHÉ

Maintenez enfoncé le bouton marche/arrêt jusqu'à ce que l'image de démarrage apparaisse dans l'oculaire, l'appareil est ainsi allumé avec succès.

ARRÊT

- a. Arrêt manuel : Appuyez longuement sur le bouton marche/arrêt pour afficher la barre de progression de l'arrêt et maintenez-le enfoncé jusqu'à ce que la barre de progression arrive au bout et que l'appareil s'éteigne avec succès.
- b. Arrêt automatique : dans le délai d'arrêt automatique défini, l'appareil peut s'éteindre automatiquement sans aucune opération.

DISPLAY OFF

Maintenez enfoncé le bouton marche/arrêt pour afficher la barre de progression de l'arrêt. Avant que celle-ci n'arrive au bout, relâchez le bouton pour annuler l'arrêt et entrer en mode Display off.

DISPLAY ON

En mode Display off, appuyez sur n'importe quel bouton pour réactiver l'écran.

COMPENSATION

Lorsque l'appareil est allumé et que le menu n'est pas affiché, appuyez brièvement sur le bouton marche/arrêt pour réaliser la compensation (sauf pour la compensation automatique).

2. BOUTON PRISE DE PHOTO

PRISE DE PHOTO

Lorsque l'appareil est allumé et que le menu n'est pas affiché, appuyez brièvement sur le bouton prise de photo pour prendre une photo et afficher de nouveau l'image en temps réel après un arrêt de 300ms.

ENREGISTREMENT VIDÉO

Lorsque l'appareil est allumé et que le menu n'est pas affiché, maintenez enfoncé le bouton prise de photo pour commencer l'enregistrement et pressez de nouveau ce bouton pour le terminer.

Durant l'enregistrement, appuyez brièvement sur le bouton prise de photo pour prendre une photo et afficher de nouveau l'image en temps réel après un arrêt de 300ms.

3. BOUTON MESURE DE DISTANCE

Maintenez enfoncé le bouton mesure de distance pour activer le mode de mesure de distance simple, puis maintenez enfoncé de nouveau ce bouton pour activer

le mode mesure de distance en continu, et répétez cette opération encore une fois pour quitter ce mode.

4. BOUTON VERS HAUT

BASCULER ENTRE LES DIFFÉRENTS MODES SCÈNE

Appuyez brièvement sur le bouton vers haut pour basculer entre naturel/haute luminosité/amélioré.

ZOOM AVANT

Appuyez longuement sur le bouton vers haut pour effectuer le zoom avant de l'image en temps réel.

5. BOUTON VERS BAS

BASCULER ENTRE LES DIFFÉRENTES PSEUDOCOULEURS

Appuyez brièvement sur le bouton pour basculer entre le blanc chaud, le noir chaud, le rouge chaud réglable, le vert chaud, le bleu chaud, le rouge fer.

ZOOM ARRIÈRE

Appuyez longuement sur le bouton vers bas pour passer du zoom avant au zoom arrière de l'image en temps réel.

6. BOUTON MENU

MENU DE RACCOURCIS

Lorsque l'appareil est allumé et que le menu n'est pas affiché, appuyez brièvement sur le bouton menu pour que le menu de raccourcis apparaisse.

MENU PRINCIPAL

Lorsque l'appareil est allumé et que le menu n'est pas affiché, maintenez enfoncé le bouton menu pour que le menu principal apparaisse.

CONFIRMATION ET RETOUR/SORTIE

Lorsque l'appareil est sous tension et que le menu s'affiche, appuyez brièvement sur le bouton menu pour confirmer l'option actuelle et revenir au menu précédent ; maintenez enfoncé le bouton menu pour revenir à ou quitter le menu sans enregistrer les paramètres actuels.

[DESCRIPTION DES FONCTIONS]

1. MENU DE RACCOURCIS

- Image en image: vous pouvez basculer entre trois options : supérieur gauche, supérieur au milieu et supérieur droit.
- Luminosité de l'écran: le niveau de luminosité de l'écran peut être ajusté de 1 à 10.
- Suivi des points chauds: lorsque ce mode est activé, un curseur en croix blanc s'affiche, ce qui permet de suivre le point le plus chaud dans l'ensemble de l'image.
- Super économie d'énergie: une fois cette fonction activée, ARM passe en mode de faible consommation d'énergie, la luminosité OLED est fixée à 20% et ne

peut pas être ajustée, le WIFI, le bluetooth, la mesure de distance, le GPS, la boussole et l'accéléromètre ne peuvent pas être activés, si ces fonctions sont actuellement activées, désactivez-les.

2. MENU PRINCIPAL

- Amélioration de la qualité de l'image: une fois cette fonction activée, la qualité de l'image peut être ajustée.
- Mode scène: trois modes scène naturel/amélioré/haute luminosité sont en option.
- Pseudocouleur: vous pouvez basculer entre blanc chaud/noir chaud/rouge chaud réglable/vert chaud/bleu chaud/rouge fer.
- Luminosité: le niveau de luminosité du détecteur peut être ajusté de 1 à 10.

⚠ NOTA: la valeur de luminosité ajustée sera enregistrée pour le mode scène actuel

- Contraste : le niveau de contraste peut être ajusté de 1 à 10.

⚠ NOTA: la valeur de contraste ajustée sera enregistrée pour le mode scène actuel

- Mode de compensation: trois modes de compensation peuvent être définies : compensation automatique/compensation de scène/compensation

par obturateur.

- Wifi :

WiFi activé ou désactivé: lorsque l'APP sur le téléphone mobile est connectée à l'appareil, la vidéo en temps réel peut être transmise au téléphone mobile, l'appareil peut être opéré via l'APP, les photos/vidéos sur l'appareil sont accessibles, et les opérations, telles que la lecture, le partage et la suppression des photos/vidéos, peuvent être effectuées.

⚠ NOTA: recherchez et téléchargez l'application « TargetIR » sur le marché des applications mobiles, ouvrez l'application et recherchez le nom WiFi « Binocular-TI-xxxx » dans le paramétrage de WiFi du téléphone mobile, entrez le mot de passe « 12345678 » et l'opération à distance peut être effectuée après la connexion réussie.

- GPS: après avoir activé le GPS, vous pouvez obtenir les informations GPS de l'emplacement où l'appareil se trouve.
- Boussole: une fois activée, elle peut afficher les informations relatives à la localisation actuelle après l'étalonnage.
- Accéléromètre: ce qui peut indiquer l'angle à tenir l'appareil qui sera soumis à l'étalonnage. En cas

d'une déviation d'angle, le message de remise à zéro apparaîtra.

- Mise en veille automatique: vous pouvez régler le délai de mise en veille automatique, soit 5/10/15 minutes. S'il n'y a aucune opération dans le délai défini, l'appareil entrera en état de veille.
- Arrêt automatique: vous pouvez régler le délai de mise en arrêt automatique, soit 15/30/60 minutes. Si vous n'appuyez aucun bouton dans le délai défini, le compte à rebours de l'arrêt commencera et votre appareil sera arrêté une fois le compte terminé.
- Voyant de service: contrôlez l'interrupteur du voyant de service.
- Format du temps: vous pouvez basculer entre 12H et 24H.
- Format de la date: vous pouvez basculer entre YYYY-MM-DD/MM-DD-YYYY/DD-MM-YYYY.
- Réglage du temps: accédez à l'interface de réglage du temps et vous pouvez régler le temps et la date de l'appareil.
- Réglage du filigrane: une fois cette fonction activée, vous pouvez basculer entre heure uniquement/date uniquement/heure et date/désactivation.
- Réglage de la langue: Vous pouvez basculer entre

chinois/anglais/russe/allemand/français.

- Formatage de la carte mémoire: vous pouvez choisir de formater la carte mémoire, sélectionnez « Oui » pour formater la carte mémoire et sélectionnez « Non » pour l'annuler.
- Restauration des valeurs par défaut: vous pouvez choisir de restaurer les valeurs par défaut. Sélectionnez « Oui » pour restaurer toutes les valeurs d'usine; sélectionnez « Non » pour annuler la restauration.
- Télécommande: lorsqu'elle est allumée, elle recherche et se connecte avec la télécommande Bluetooth. Une fois la connexion établie, vous pouvez utiliser la télécommande Bluetooth pour contrôler toutes les fonctions des boutons de l'appareil (à l'exception de l'arrêt).

⚠ NOTA: Elle doit être assortie aux accessoires en option.

- Indication laser: vous pouvez basculer entre trois icônes d'indication laser: rouge, jaune et vert.
- Indication et étalonnage: vous pouvez respectivement régler les coordonnées des trois icônes d'indication laser.
- À propos de: vous pouvez y consulter les numéros

de version APP, ARM, MCU, FPGA et l'adresse MAC de votre appareil.

- Affichage du niveau de la batterie: lorsque la caméra thermique est allumée et que le niveau de la batterie change, le niveau s'affiche dans le coin inférieur gauche de l'écran et la partie allumée indique le niveau de charge restante de la batterie. Lorsque l'image en temps réel s'affiche après l'allumage de l'appareil, l'icône indiquant le niveau de la batterie mentionnée ci-dessus s'affichera dans le coin inférieur gauche de l'écran.

⚠ NOTA: lorsque la charge de la batterie est au niveau bas, veuillez remplacer la batterie à temps !

- GUIDE DE DÉPANNAGE COMMUN-

1. L'appareil ne peut pas être allumé

Solution: remplacez la batterie ou connectez l'adaptateur pour la recharger.

2. L'appareil ne peut pas prendre de photos/enregistrer de vidéos

Solution: l'espace de stockage interne de l'appareil est plein et la carte mémoire doit être formatée.

3. L'heure affichée sur l'appareil ne correspond pas à l'heure réelle

Solution: réglez l'heure et la date de l'appareil dans le menu.

4. L'écran s'éteint pendant l'utilisation

Solution: appuyez brièvement sur n'importe quel bouton pour quitter le mode veille et allumer l'écran.

5. L'image de l'appareil est floue lors de l'utilisation

Solution: tournez l'objectif pour effectuer manuellement la mise au point jusqu'à ce que l'image soit nette.

-STOCKAGE ET TRANSPORT-

Ce qui suit concerne les méthodes de stockage et de transport correctes du produit. Afin de prévenir des dangers, des dommages aux biens, etc., veuillez lire attentivement ce manuel avant l'utilisation, le respecter rigoureusement pendant l'utilisation et le conserver correctement après la lecture.

Stockage:

1. Le produit emballé doit être stocké dans un environnement intérieur où la température est comprise entre -30°C et 60°C , l'humidité relative ne dépasse pas 95%, sans condensation ni gaz corrosif, bien ventilé et propre.
2. Veuillez le retirer et le recharger régulièrement tous les 3 mois.

Transport:

Durant le transport, protégez votre appareil contre la pluie et l'eau, ne le mettez pas à l'envers, tout en évitant des vibrations et des chocs forts. Veuillez à le manipuler avec soin et il est strictement interdit de le jeter.

- ВАЖНОЕ ОБЪЯСНЕНИЕ -

Спасибо за выбор данной продукции, просим Вас внимательно ознакомиться с Инструкцией перед использованием, а после этого бережно хранить ее для дальнейшего использования. Мы надеемся, что данная продукция оправдает ваши ожидания.

Настоящая инструкция используется для всех устройств данной серии, это означает, что полученная Вами продукция конкретной модели может отличаться от изображений в Инструкции, превалируется фактически полученная продукция.

Настоящая инструкция разработана для удобного использования и ознакомления пользователями с продукцией нашей компании, мы прилагаем все усилия для обеспечения точности ее содержания, но не можем гарантировать полноту ее содержания, так как наша продукция постоянно обновляется. Наша компания сохраняет за собой право на внесение в нее изменений в любое время без предварительного уведомления.

GB CN DE FR **RU**

- FCC WARNING -

This device complies with part 15 of the FCC Rules.

Operation is subject to the following two conditions:

(1) This device may not cause harmful interference, and (2) this device must accept any interference received, including interference that may cause undesired operation.

- ОСОБЫЕ ЗАМЕЧАНИЯ -

Опасно

- 1) Просим зарядить батарейку в соответствии со способом, описанным в Инструкции, и соблюдать шаги заряда и его особые замечания. Неправильный заряд приведет к нагреву, порче батарейки или даже к травме;
- 2) Никогда не пробуйте вскрыть или разобрать батарейки, при попадании жидкости в глаза (от протечки батареек) немедленно промойте их чистой водой и осуществите медицинский уход.

Предупреждение

- 1) При использовании устройства старайтесь обеспечить его устойчивость, сильная тряска запрещена.
- 2) Запрещено использование или хранение устройства при рабочей температуре или температуре хранения, вышедших за пределы допустимых.
- 3) Запрещено направить устройство на источники сильного теплового излучения, такие как солнце, лазеры, аппараты точечной

сварки и т. д..

- 4) Закрытие отверстий устройства запрещено.
- 5) Во избежание порчи нельзя ударить, бросить, встряхивать устройство и его аксессуары.
- 6) Произвольная разборка устройства запрещена, так как это может привести к его порче и лишению прав на гарантийный ремонт.
- 7) Использование растворимых или аналогичных жидкостей для устройства, кабелей запрещено, так как это может привести к порче устройства.
- 8) Использование устройства вне рабочей температуры может привести к его порче.
- 9) Протирание данного устройства допускается при соблюдении следующих мер:
 - неоптическая поверхность: при необходимости допускается протирание неоптической поверхности тепловизора чистой, мягкой тканью.
 - оптическая поверхность: при использовании тепловизора избегать загрязнения оптической поверхности его объектива, особенно не прикасайтесь

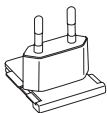
к объективу рукой, так как от пота в объективе остаются следы, которые могут разъесть оптическую пленку на стеклянной поверхности. Загрязненная поверхность оптического объектива подлежит протиранию специальной салфеткой для протирки объективов.

- 10) Размещение батареек в среде с высокой температурой или размещение их вблизи предмета с высокой температурой запрещено.
- 11) Не допускайте короткого замыкания батареек.
- 12) Размещение батареек во влажной среде или воде запрещено.

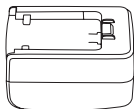
 **ATTENTION**

- 1) Нахождение устройства в пыльной или влажной среде запрещено. При использовании в среде, где имеется вода, следует избежать попадания воды в прибор. Крышка для объектива должна быть закрыта, когда прибор не используется.
- 2) Прибор и все аксессуары должны быть помещены в специальную сумку, когда настоящее устройство не используется.

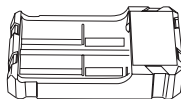
-СПИСОК-



**ШТЕПСЕЛЬНАЯ
ВИЛКА**



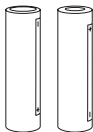
**АДАПТЕР
ПИТАНИЯ**



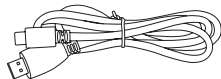
**ЗАРЯДНИК
18650**



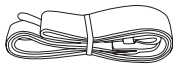
**СУМКА (ВКЛЮЧАЯ
ПЛЕЧЕВОЙ
РЕМЕНЬ)**



**БАТАРЕЙКИ 18650
X2 (ВКЛЮЧАЯ
БАТАРЕЙНЫЙ
ОТСЕК)**



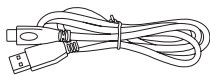
КАБЕЛЬ MICRO HDMI



**ПЛЕЧЕВОЙ
РЕМЕНЬ**



КАБЕЛЬ MICRO USB



КАБЕЛЬ TYPE-C

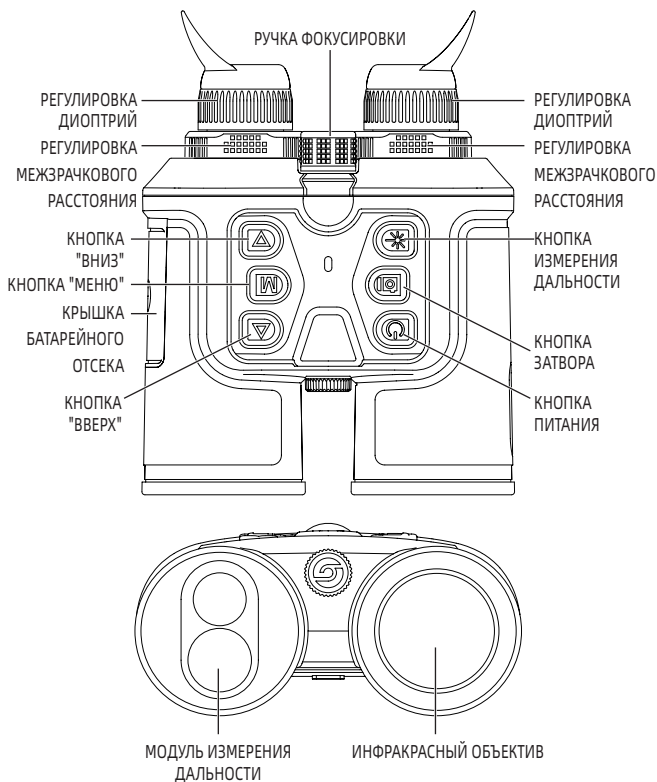
Детали (по желанию):



Пульт ДУ

-О КОМПОНЕНТАХ ПРОДУКЦИИ-

Данная инструкция применена для многих моделей данной серии, на рисунке только показана одна модель.



1. Кольцо фокусировки

Включенный тепловизор должен быть наведен на объект наблюдения. При изменении расстояния от объекта наблюдения изображение может быть размытым. При этом нужно регулировать кольцо фокусировки объектива до тех пор, пока изображение объекта не станет четким.

2. Крышка для объектива

В целях защиты объектива его крышка должна быть закрыта до использования настоящей продукции!

3. Порт USB Type C

USB-кабель можно подключить к внешнему источнику питания через внешний порт для заряда устройства.

Выход внешнего источника питания - 5V2A.

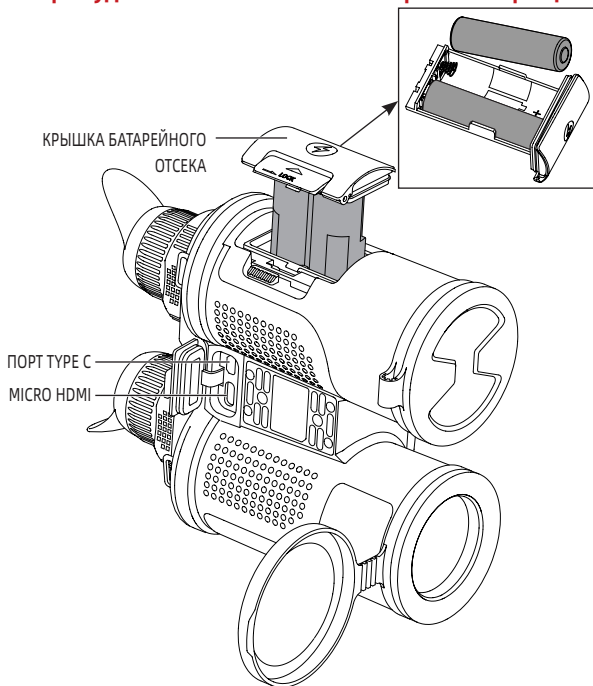
4. Micro HDMI

Соединение с видеокабелем осуществляется через внешний порт, допускается одновременное подключение к внешнему источнику питания и внешнему экрану с выводом изображений тепловизора на внешний монитор.

5. Крышка батарейного отсека

Откройте крышка батарейного отсека согласно рисунку и установите батарейки.

⚠ Примечание: установите батарейку по направлению, показанному на рисунке, принудительное вставление батарейки запрещено.



-ЭКСПЛУАТАЦИОННОЕ ОПИСАНИЕ-

Кнопки	Текущее состояние устройства	Короткое нажатие	длительное нажатие
Кнопка питания	Включение	Компенсация	Display off / выключение
	Выключение	/	Включение
	Display off	Display on	Display on
Кнопка затвора	Строка меню не отображается	Фотографирование	Видео
	Строка меню отображается	/	/
Кнопка измерения дальности	Строка меню не отображается	/	Включить функцию измерения дальности
	Строка меню отображается	/	Включить функцию измерения дальности
Кнопка "меню"	Строка меню не отображается	Открыть контекстное меню	Открыть главное Меню
	Строка меню отображается	Войти в подменю или подтвердить опцию выбора	Прямо выйти из меню, не сохраняя настроек
Кнопка "Вверх"	Строка меню не отображается	Переключение сюжетных режимов	Увеличение
	Строка меню отображается	Опция меню перемещается вверх	/
Кнопка "Вниз"	Строка меню не отображается	Переключение псевдоцвета	Уменьшение
	Строка меню отображается	Опция меню перемещается вниз	/

[Описание кнопок]**Описание кнопок****1. Кнопка питания****Включение:**

Устройство успешно включено, когда в окуляре появится загрузочный экран при длительном нажатии кнопки питания.

Выключение:

- a. Выключение вручную: выключение успешно выполнено, когда полоса прогресса завершится при длительном нажатии кнопки питания.
- b. Автоматическое выключение: автоматическое выключение допускается, если в течение установленного времени автоматического выключения не было никакой операции с кнопками.

Display off:

При длительном нажатии кнопки питания отображается полоса прогресса; выключение отменено, если до завершения полосы прогресса отпустить кнопку питания, при этом предусмотрен вход в режим Display off.

Display on:

В режиме Display off экран выводится из спящего

режима путем нажатия любой кнопки.

Компенсация:

Компенсационные действия можно выполнить путем короткого нажатия кнопки включения при включенном состоянии до вызова меню (за исключением автоматической компенсации).

2. Кнопка затвора

Фотографирование:

При включенном состоянии и до вызова меню, можно фотографировать путем короткого нажатия кнопки затвора с восстановлением изображения в реальном времени через 300ms.

Видео:

При включенном состоянии и до вызова меню, можно снимать видео путем длительного нажатия кнопки затвора, прекратить снимать видео путем повторного длительного нажатия кнопки затвора.

Во время съятия видео можно фотографировать путем короткого нажатия кнопки затвора с восстановлением изображения в реальном времени через 300 ms.

3. Кнопка измерения дальности

При длительном нажатии кнопки измерения дальности можно войти в режим одноразового

измерения дальности; при повторном длительном нажатии можно войти в режим непрерывного измерения дальности; а нажмите еще раз, тогда можно выйти из режима измерения дальности.

4. Кнопка "Вверх"

Переключение сюжетных режимов

При коротком нажатии кнопки "Вверх" можно переключить между естественным / светлым / улучшенным.

Увеличение:

При длительном нажатии кнопки "Вверх" можно увеличить изображение в реальном времени.

5. Кнопка "Вниз"

Переключение псевдоцвета:

При коротком нажатии кнопки "Вниз" можно переключить между "Горячий белый" / "Горячий черный" / "Регулируемый красный горячий" / "Железный красный" / "Горячий синий" / "Горячий зеленый"/.

Уменьшение:

При длительном нажатии кнопки "Вниз" можно уменьшить изображение в реальном времени.

6. Кнопка "меню"

Контекстное меню:

Опция "Контекстное меню" появится при коротком нажатии кнопки Меню при включенном состоянии и до вызова меню.

Главное меню:

При включенном состоянии и до вызова меню, выйдет опция "главное меню" при длительном нажатии кнопки Меню.

Подтвердить и вернуться / выйти:

При включенном состоянии и вызванном меню опция "главное меню", после короткого нажатия кнопки Меню текущая опция представляет собой "подтвердить"; при длительном нажатии кнопки Меню можно вернуться назад или выйти без сохранения текущих настроек.

【Описание функций】

1. Контекстное меню

- Картинка в картинке: имеются 3 выбора - верхний левый, верхний средний и верхний правый.
- Яркость экрана: уровень яркости экрана можно регулировать от 1 до 10.
- Отслеживание горячих точек: при включении отображается белый перекрестный курсор для

отслеживания самой горячей точки на всем изображении.

- Супер энергосбережение: после включения устройства переключить ARM в режим низкого энергопотребления, при этом яркость OLED будет зафиксирована на уровне 20% и не может быть отрегулирована, WIFI, Bluetooth, измерение дальности, GPS, компас, акселерометр не могут быть включены; если в настоящее время уже включены, то вышеизложенные функции выключены.

2. Главное меню

- Повышение качества изображений: при включении можно настроить качество получаемых изображений.
- Сюжетные режимы: можно установить три сюжетных режима: естественный / улучшенный / светлый.
- Псевдоцвет: можно переключаться между "Горячий белый" / "Горячий черный" / "Регулируемый красный горячий" / "Железный красный" / "Горячий синий" / "Горячий зеленый"/.

- Яркость: можно регулировать уровень яркости зонда от 1 до 10.

⚠ Примечание: настроенное значение яркости будет сохранено в текущем сюжетном режиме.

- Контрастность: можно регулировать уровень контрастности от 1 до 10.

⚠ Примечание: настроенное значение контрастности будет сохранено в текущем сюжетном режиме.

- Способ компенсации: допускаются 3 способа компенсации- автоматическая / сюжетная / затворная.

- WiFi:

Кнопка WiFi, после подключения мобильного клиента к устройству допускается передача видеороликов в смартфон в реальном времени, оперирование терминала с помощью APP, доступ к фотографиям / видео на терминале, воспроизведение фото / видео, а также выполнение таких операций, как "поделиться", "удалить" и др.

⚠ Примечание. Найдите и скачайте приложение "TargetIR" в магазине приложений, откройте приложение и найдите имя WiFi «SCOPE-TI-xxxx»

в настройке Wi-Fi смартфона, введите пароль «12345678», после успешного подключения можно выполнять дистанционное управление.

- GPS: после включения GPS можно получить информацию GPS о местоположении устройства.
- Компас: после открытия и калибровки можно отображать информацию о текущем положении.
- Акселерометр: после открытия можно дать команду на корректировку текущего угла удержания устройства. Когда у устройства возникает угловое отклонение, он выдаст подсказку о сбросе.
- Автоматический переход в спящий режим: допускается настройка данного времени на 5/10/15 минут. Если в течение установленного времени отсутствуют никакие операции, устройство переходит в спящий режим.
- Автоматическое выключение: можно установить время автоматического выключения на 15/30/60 минут. Если в заданное время отсутствует операция с любой кнопкой, то начинается обратный отсчет выключения, после завершения которого устройство будет выключено.
- Рабочий индикатор: контролирует выключение /

включение рабочего индикатора.

- Формат времени: имеются два выбора - 12-часовой и 24-часовой.
- Форматы дат: можно выбрать форматы YYYY-MM-DD / MM-DD-YYYY / DD-MM-YYYY.
- Настройка времени: войдите в интерфейс настройки времени, вы можете настроить время и дату устройства.
- Настройка акватипий: после включения можно выбрать среди "Только отключить дату" / "Только отключить время" / "Отключить время и дату".
- Настройка языка: можно выбрать китайский / английский / русский / немецкий / французский языки.
- Форматирование карты памяти: форматирование допускается после выбора формируемой карты памяти и выбора "Да", при выборе "Нет" операция будет отменена.
- Восстановить значение по умолчанию: можно выбрать восстановить или не восстановить значение по умолчанию. При выборе «Да» все параметры будут восстановлены до заводских настроек; при выборе «Нет» операция будет отменена.

- Пульт ДУ: после его включения начинаются поиск и подключение к пульту Bluetooth. После успешного подключения можно выполнить все функции кнопок на прицеле через пульт Bluetooth (за исключением функций выключения устройства).

⚠ Примечание: данную функцию использовать вместе с дополнительно выбранными компонентами.

- Лазерная индикация: можно переключаться между тремя значками лазерного индикатора -красного / желтого / зеленого.
- Индикация калибровки: координаты, позволяющие установить три значка лазерного индикатора.
- О программах: можно просмотреть номера версий APP, ARM, MCU, FPGA и MAC-адрес на текущем устройстве .
- Индикатор заряда батареи: при включенном состоянии тепловизора и изменении уровня заряда батареи индикатор заряда батареи отображается в правом верхнем углу экрана; светящаяся часть индикатора - это остаток энергии в батарее.

- После включения устройства и входа в загрузочный экран в реальном времени, в левом нижнем углу экрана будет отображаться значок, соответствующий вышеупомянутому уровню заряда батареи.

⚠ Примечание: при низком уровне заряда следует своевременно ее заменить!

-ИНСТРУКЦИЯ ПО УСТРАНЕНИЮ ЧАСТО ВСТРЕЧАЮЩИХСЯ НЕИСПРАВНОСТЕЙ-

1. Не возможно включить устройство

Решение: заменить батарейку или подключить адаптер для зарядки

2. На устройстве не возможно снимать фото / видео

Решение: внутренняя память устройства заполнена, необходимо отформатировать карту памяти.

3. Отображаемое на устройстве время не соответствует реальному времени

Решение: повторно настроить дату и время на устройстве в меню

4. Экран тухнет во время использования

Решение: вывести экран из спящего режима путем короткого нажатия любой кнопки и светить экран.

5. Изображения получаются размытыми при использовании устройства

Решение: повернуть объектив и ручную отрегулировать фокус, пока изображения не станут четкими.

-ХРАНЕНИЕ И ТРАНСПОРТИРОВКА-

Ниже приедены способы правильного хранения и транспортировки продукции. Во избежание опасности, имущественных потерей и т.д, просим Вас внимательно ознакомиться с Инструкцией перед использованием устройства, а при использовании устройства строго соблюдайте ее, после ознакомления бережно хранить ее.

Хранение:

1. Заупакованная продукция хранится в чистом помещении при температурах $-30\text{ }^{\circ}\text{C} \sim 60\text{ }^{\circ}\text{C}$, относительной влажности до 95%, без образования конденсата и агрессивных газов, с хорошей вентиляцией.
2. Регулярная зарядка батарейки производится раз в три месяца.

Транспортировка:

Вовремятранспортировкииобращениянеобходимо защитить от дождя, воды, запрещены кантовка, сильные вибрации и удар; при перемещении следует обращаться с осторожностью, запрещено бросать.

GB Special statement: the version of the Guide will be updated after the technical improvement of the product.

CN 特别声明:说明书版本将会在产品技术改进后更新。

DE Besonderer Hinweis: Die Anleitung wird im Zuge der Weiterentwicklung der Produkttechnologie aktualisiert.

FR Déclaration spéciale : la version du manuel sera mise à jour après l'amélioration de la technologie du produit.

RU Специальное заявление: версия Инструкции будет обновлена после улучшения технологий продукции.